

*Delivering state of the
art UltraViolet
Germicidal Irradiation
(UVGI) products. Let's
fight the Corona Virus
together*

LUMOS UV[®]

www.finsenritter.com

contact@finsenritter.com

+91 83196 82835

© 2020 Finsen Ritter



WHY CHOOSE UVGI?

ABOUT US

We at Finsen Ritter are experts at designing & manufacturing UltraViolet Germicidal Irradiation (UVGI) products. Finsen Ritter features state of the art products for industrial & domestic use. We also offer consultancy services for all UVGI disinfection requirements..

	Chemical Disinfectant	UVGI
Cost Effectiveness Upto 30 times cheaper than chemical disinfection. (Rs. 0.75 for 5 mins session**)	✗	✓
Not flammable	✗	✓
Swift Disinfection of a larger premises	✗	✓
Electronics Friendly	✗	✓
Chemicals Free & Eco-friendly	✗	✓
Continuous Air Disinfection	✗	✓
Eatable friendly	✗	✓
No Refills	✗	✓

**Assuming the higher end of commercial cost of electricity at Rs. 15/unit. It may vary according to the tariff policy





LUMOS®

Lumos® is designed to deliver UltraViolet radiation for sterilizing the exposed surfaces and air of an unoccupied area with the help of UVGI lamps. These lamps use Germicidal radiation in the UV-C range of 254 nanometers wavelength, which effectively eliminates dangerous microbes like viruses, bacteria, fungus, moulds and spores. We target UltraViolet dose of 70 mJ/cm² making it the best in class.

UV Power of 600W

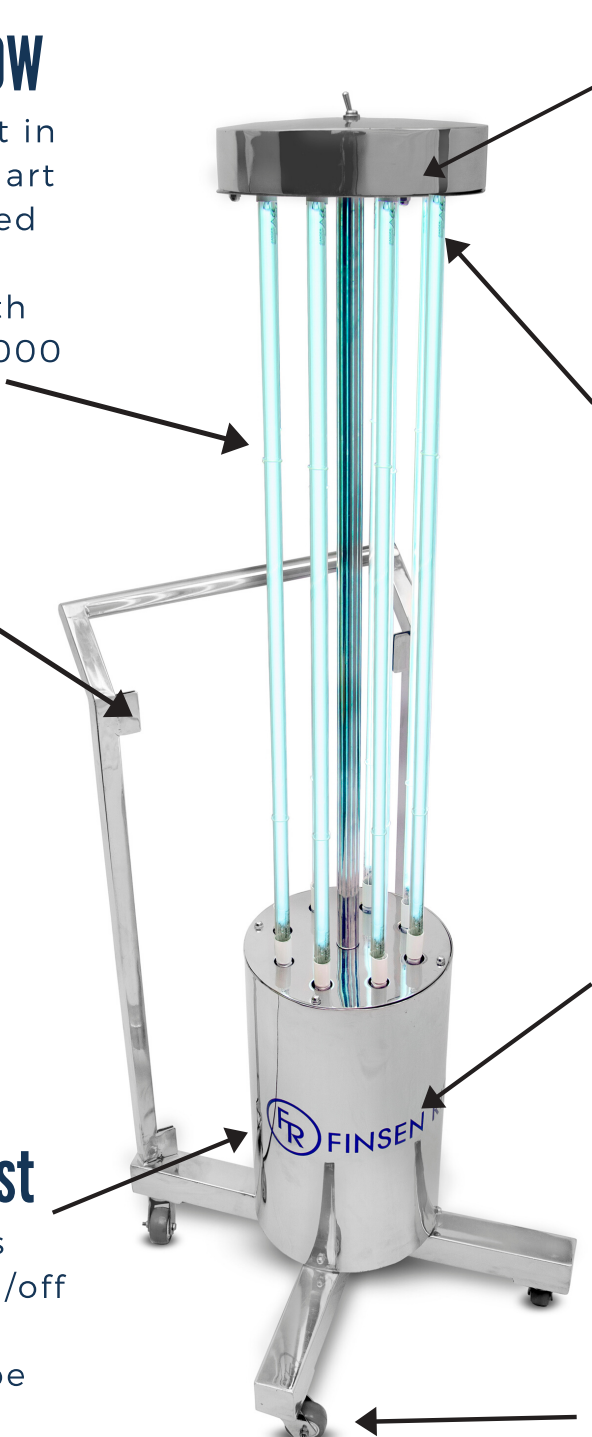
One of the highest in class! State of the art UV-C lamps sourced from leading manufacturers with the rated life of 9000 hours

Shield attachment

Ergonomic design with feature to provide for UV shield. Enabling the person to move the device while it is turned on

Industrial Electronic Ballast

Electronic ballasts provide instant on/off functionality. Increasing the tube life



Bluetooth Enabled

Mobile App offers multiple flexible functionalities like:
Digital Timer
Remote power toggle
Product manuals

RF Remote

Turn the device on and off with the ease of the remote with a long range

Smart Phone App

For easy connectivity & versatility

Industrial grade stainless steel body

Engineered with best in class levels of factor of safety (FoS) providing a robust design

Stainless Steel Epoxy wheels

Providing durable and sturdy mobility



LUMOS®

Have a look at our device

Turned On

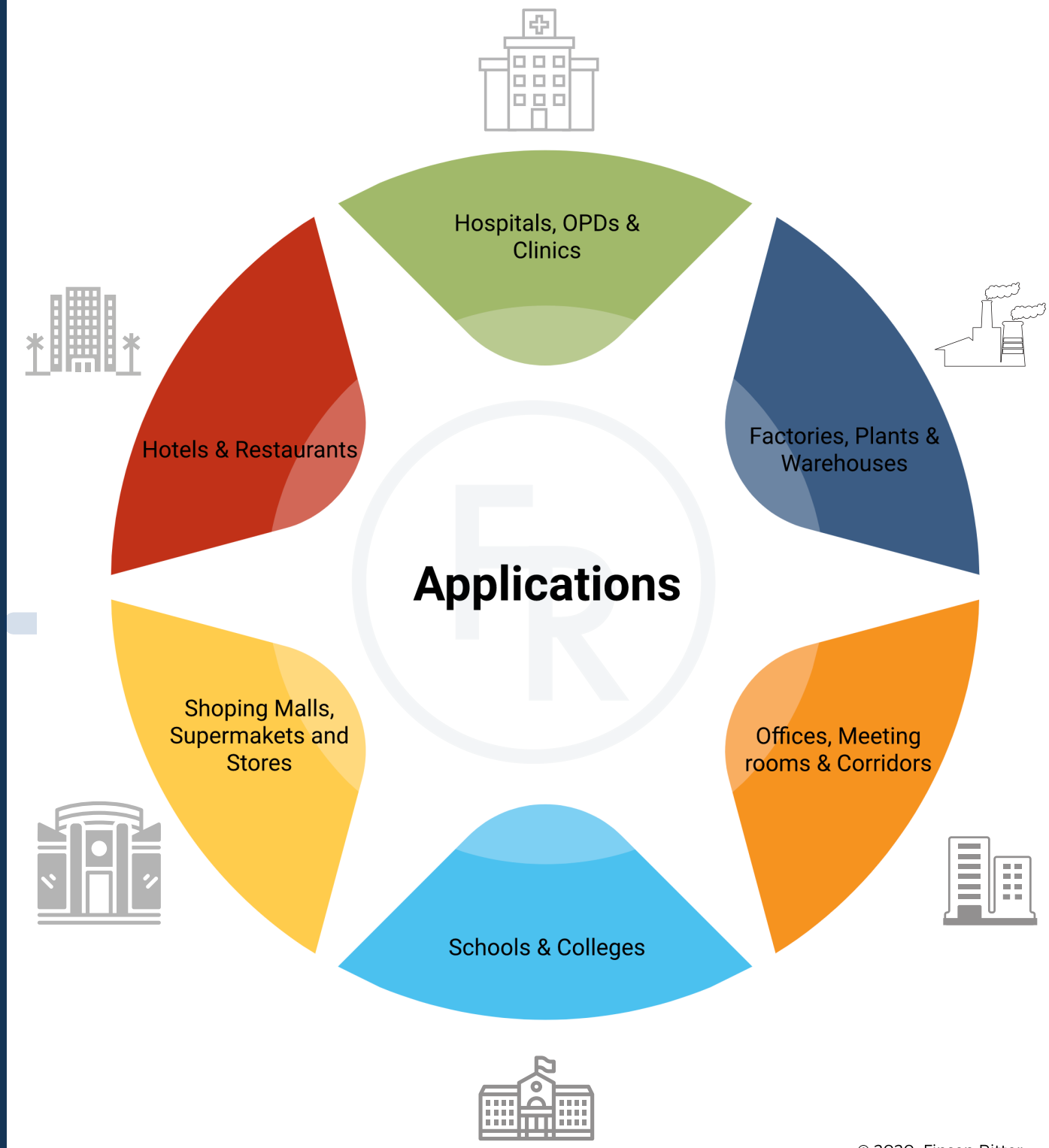


Turned Off





APPLICATIONS





APPLICATIONS

The product can be kept in a room to disinfect it in a few minutes.

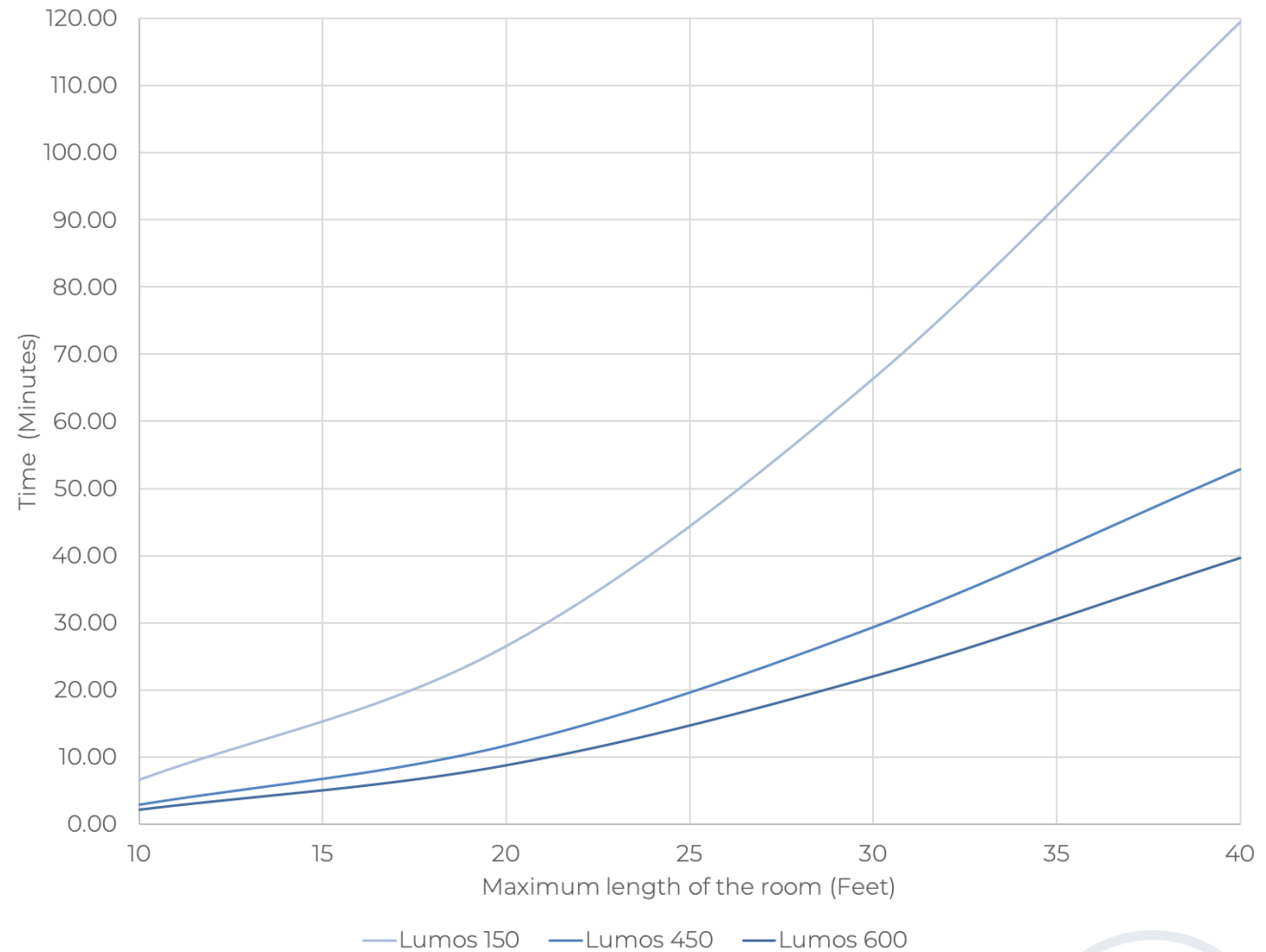
As no person should be in the room without the safety kits. We provide Remote and App to operate the device from a distance.

HOTEL ROOMS



TIME TAKEN FOR COMPREHENSIVE STERILISATION

Recommended time for sanitisation of the room of various sizes





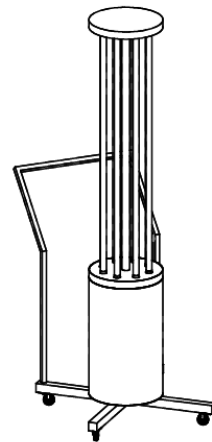
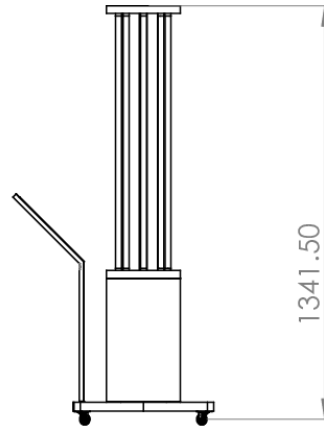
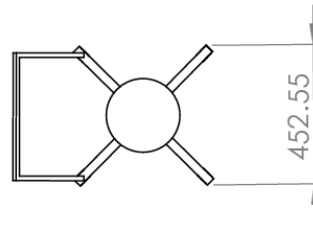
TECHNICAL SPECIFICATIONS

	LUMOS 600	LUMOS 450	LUMOS MINI
Dimensions	1342 x 453 x 550	1342 x 453 x 550	1200 x 305 x 305
Weight	16 KG	14 KG	9 KG
Wavelength	254 nm	254 nm	254 nm
Power	600 Watts	450 Watts	150 Watts
Power to UVC efficiency	34%	34%	34%
Operating Voltage	220 Volts	220 Volts	220 Volts
Lamp Voltage	178 Volts	178 Volts	178 Volts
Lamp Current	2.55 Amperes	1.70 Amperes	0.85 Amperes
Operating Frequency	50 Hz	50 HZ	50 HZ
Useful Lamp* Lifetime (Replacement available)	9000 Hours	9000 Hours	9000 Hours
Wheels	Stainless steel	Stainless steel	Galvanised Iron wheels
Depreciation @ Useful Timeline	15%	15%	15%
Required UV dose for surface	70 mJ/cm2	70 mJ/cm2	70 mJ/cm2
Remote Range	40 feet	40 feet	40 feet

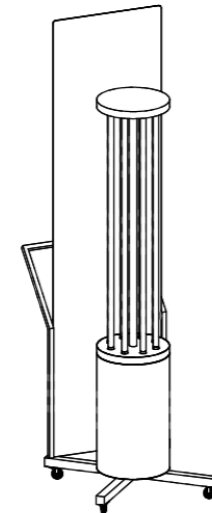
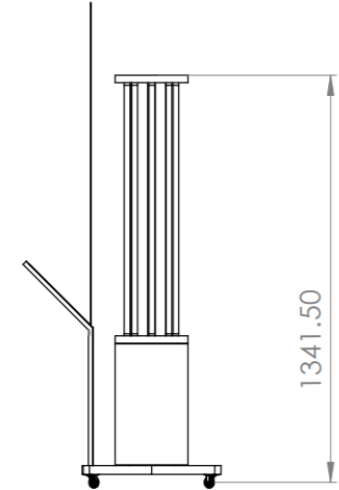
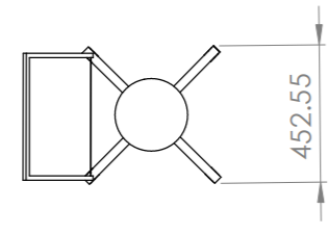


DIMENSIONS

Standard



With Protective Shield





FREQUENTLY ASKED QUESTIONS

Does it work on Corona Virus (SARS CoV-2)?

Yes. UVGI inactivated the Corona Virus on sufficient exposure.

WHAT IS UV-C and UVGI?

Ultraviolet radiation is divided into three categories UV-A (315 - 400 nm), UV-B (280 - 315 nm) & UV-C (200 - 280 nm). UV C is the light with the higher frequency and smaller wavelength. UVGI refers to radiation with specific wavelength (254 nm), scientifically proven to kill and Inactivate most harmful Microbial Pathogens

WILL UV-C DEGRADE OBJECTS IN THE ROOM?

UV-C is a short wavelength light and does not penetrate most objects. Hospital room disinfection does not accumulate sufficient exposure time to cause any material degradation.

IS UV-C LIGHT HARMFUL?

UVC radiation refers to wavelengths shorter than 280 nm. These wavelengths are entirely absorbed by our atmosphere and no natural UVC radiation reaches the surface of the earth. These wavelengths are available to us through artificial sources, such as UVC LEDs or mercury lamps. UVC does not penetrate the skin and is almost entirely absorbed by the outer dead layer (stratum corneum) and outer skin (Outer Epidermis) and negligible radiation reaches the living cells of the skin. Human Eyes are most susceptible to UVC exposure due to absence of an outer dead protective layer of skin. Exceeding the threshold level of exposure will cause a painful irritation of the cornea similar to looking directly at Sun. This damage is painful but transitory with corneal shedding and replacement in a day or two. The intensity from point sources like UVC LEDs falls off as 1 over distance squared, and once it gets past the scattering length, it falls off exponentially. This means that the further away a UVC source from a human, the lesser dose they are exposed to.



FREQUENTLY ASKED QUESTIONS

HOW DOES IT WORK?

Multiple Scientific Papers and Research Studies prove conclusively that when Pathogenic organisms are irradiated with UV-C light with specific wavelength(UVGI), The UV Photons interact Photochemically with DNA and RNA molecules. Photon absorption by DNA or RNA (specifically by thymine bases) is known to cause inactivation of the DNA or RNA double helix strands through the formation of thymine dimers. If enough of these dimers are created in DNA, the DNA replication process is disrupted and the organism cannot replicate rendering it inactive

SHOULD I CLEAN MY DEVICE?

Yes - depending on the surrounding environment, UVC lamps should be checked periodically (approximately every three months) and can be cleaned with a dry cotton cloth or paper towel.

For more information visit:
www.finsenritter.com

Contact us:
contact@finsenritter.com

Phone number: +91 83196 82835